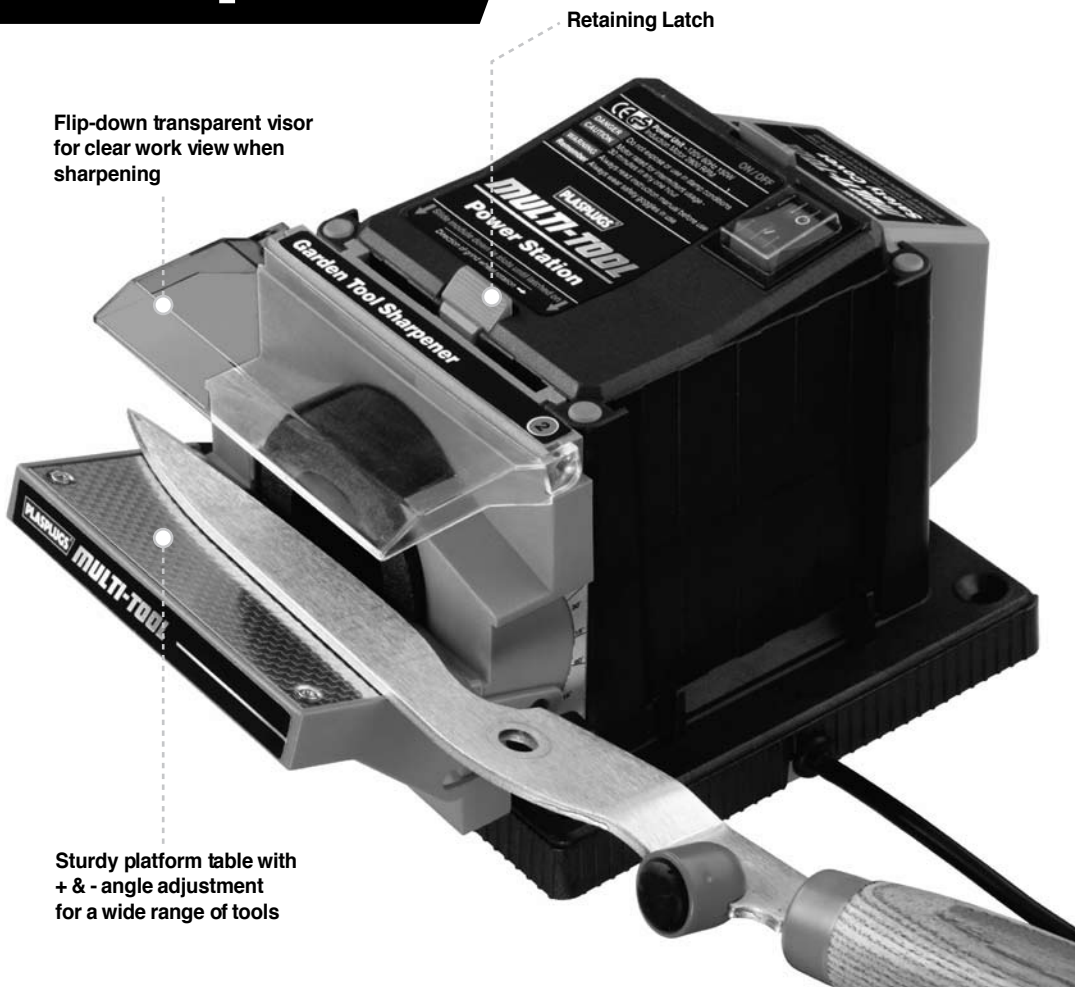


PLASPLUGS® WORKSHOP

MULTI-TOOL



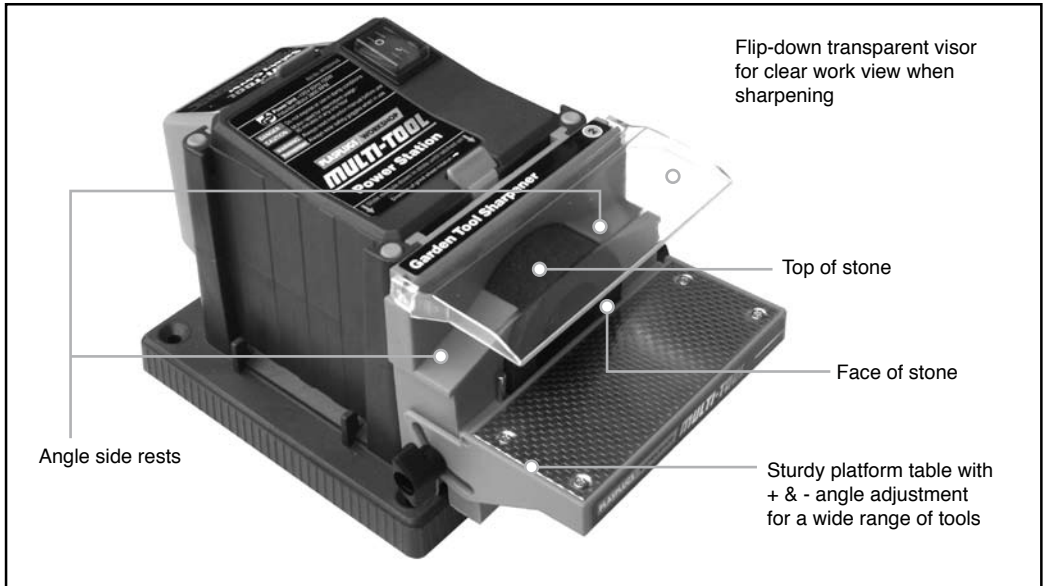
Garden Tool Sharpener



FOR YOUR SAFETY. PLEASE READ BEFORE USE.

Instruction Manual

Garden Tool Sharpener



Safety Precautions

PLEASE READ CAREFULLY ALL THE FOLLOWING SAFETY PRECAUTIONS PRIOR TO USING YOUR GARDEN TOOL SHARPENER FOR THE FIRST TIME

USER PRECAUTIONS

- Remove all loose clothing, neckties, rings, bracelets and other jewellery that may get caught in moving parts.
- Non-slip footwear is recommended.
- Wear protective hair covering to contain long hair.
- Ear muffs and gloves are recommended.
- Always use safety glasses. NB: Everyday eye glasses do not contain impact resistant lenses – they are **NOT** safety glasses.
- Always use face or dust masks if grinding operation is dusty.

CARE AND CLEANING

- Before cleaning, disconnect from the mains.
- Keep clean and free from oil and grease.
- Store in dry conditions.

When using electrical tools, basic safety precautions should always be used including the following:

- Unplug from outlet when not in use, before putting on or taking off any parts and before cleaning.
- To protect against electrical shock, do not immerse cord, plug or appliance in water or any other liquid.
- To reduce the risk of unintentional starting, make sure that the switch is in the off position before plugging in.
- Do not operate any product with a damaged cord or plug, if the product malfunctions or it is dropped or damaged in any way.
- Always check for damaged parts before operation. Damaged parts should be properly repaired and replaced.
- Do not use in dangerous environments or expose to damp or wet conditions.
- Keep your working area well lit.
- Do not let the cord hang over the edge of table or counter or touch hot surfaces.
- Do not use product or attachments for other than intended purpose.
- Do not leave the grinding wheel unattended whilst it is operating.
- Keep all non-users a safe distance from the work area. Keep out of reach of children at all times.
- Grinding generates sparks – keep away all flammable substances and materials.
- Never touch the moving grinding wheel.
- The motor is specially rated for intermittent use – maximum 20 minutes continuous use.
- Do not attach modules when the grinding wheel is moving.
- Do not use the grinding wheel without a module in place.
- Before removing a module, switch off on the Power Unit and allow the grinding wheel to come to a stop.



Garden Tool Sharpener

Slide the module labelled Garden Tool Sharpener (Module 2) onto the Power Station. The module will be in the correct position once the retaining latch has locked.

The garden tool module sharpens a wide range of garden tools which may require different sharpening angles. Use the angle adjustment on the module to set the table at the desired angle, by loosening the clamping knobs and then re-tightening them (illustration A).

HANDY HINT – make use of the table angle scale situated on the side of the module.

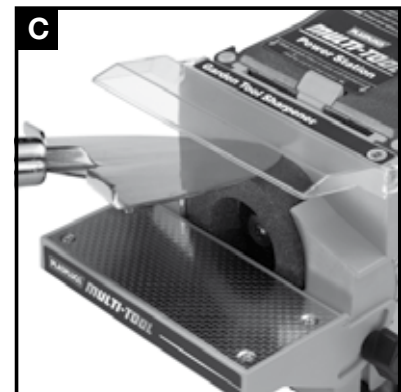
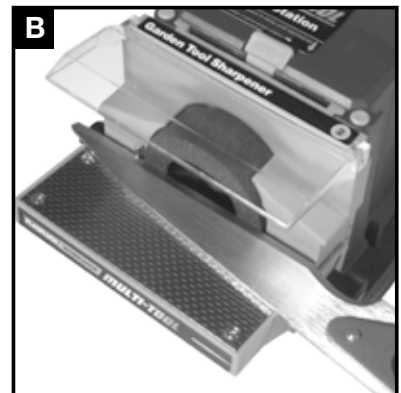
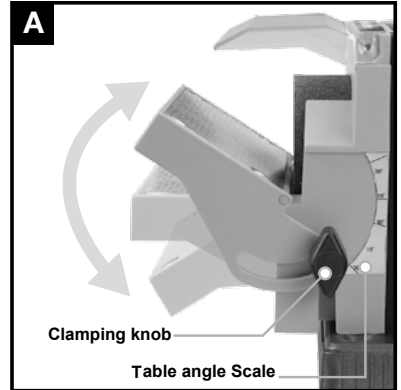
Garden tools can be sharpened using the module in 2 ways. Depending on the tool it is possible to use either the metal lined platform table, sharpening on the face of the stone, or alternatively use the angle side rests and sharpen tools by using the top of the stone.

Examples are shown in illustrations B and C. To sharpen straight edged shears adjust the metal lined platform table to present the blade edge at your selected angle. After adjustment, tighten clamping knobs.

HANDY HINT - When sharpening shears it is helpful to dismantle pivot if possible and sharpen each blade freely. Otherwise open shears to their fullest and sharpen the edges by using the right hand side of the stone face.

Axes, lawn edgers, garden hoes and spades can be sharpened using the angle side rests and the top of the grinding stone.

Rotary mower blades can be sharpened on either the platform or by using the angle side rests. This will be determined by the size of the blade and its cutting angles. The same applies for various other garden tools such as forks, scateurs and scythes.



MULTI-TOOL

Modular Power Tool System

***Build your own Multi-Tool,**
the most innovative modular work-
shop system can:

- Sharpen
- Drill
- Sand
- Polish
- Engrave
- Grind
- Shape
- Plus much more...

* Modules shown are sold Separatly

